

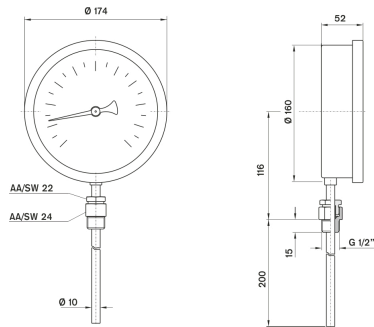
Temperature Gauges / Gas Actuated Thermometers / Gas Actuated Thermometers / Ø 160 mm.
CONSTRUCTIVE PROPERTIES

	STANDARD	OPTIONAL
Mounting Type	Bottom Connection	Back Connection
Scale Range (T)	-40/+40°C -40/+60°C 0/+120°C 0/+160°C 0/+300°C 0/+350°C	0/+400°C 0/+500°C 0/+600°C
Case	Stainless Steel AISI-304	Stainless Steel AISI-316L
Bezel	Stainless Steel AISI-304	Stainless Steel AISI-316L
Window	Glass	Safety Glass
Connection	G 1/2" B	1/2" NPT
Dial	Aluminum	-
Pointer	Aluminum	Adjustable Aluminum
Filling Liquid	-	Silicon Oil ($\leq +300^{\circ}\text{C}$)
Capillary Tube	Stainless Steel AISI-316L	-
Capillary Tube Length (T)	3m 5m	10m
Temperature Element	Gas Actuated	-
Thermowell	Stainless Steel AISI-316	-
Immersion Length	200mm	250mm 300mm 400mm 500mm
Bulb Ø	8mm	10mm


TG160DL1
USAGE PROPERTIES

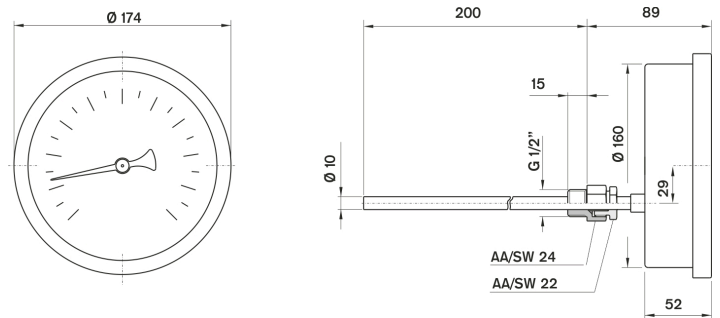
Ambient Temperature	- 40...+ 60°C	-
Accuracy Class	CL 2.0	CL 1.0
Protection Rate	IP 51	IP 65
Optimum Operating Range	Between 0,0 x PN and 1,0 x PN	
Storage Temperature	-40 ... +70 °C	-
Conformity	EN 13190	ATEX 94/9/EC

Temperature Gauges / Gas Actuated Thermometers / Gas Actuated Thermometers / Ø 160 mm.



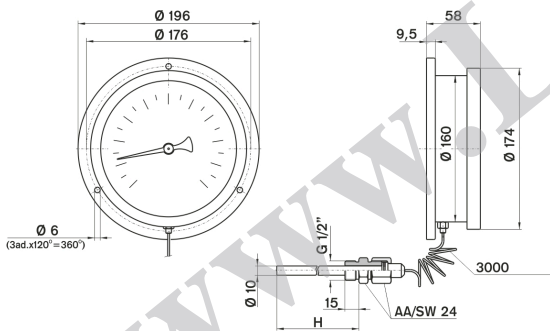
Model No: TG160DL1

Bottom Connection



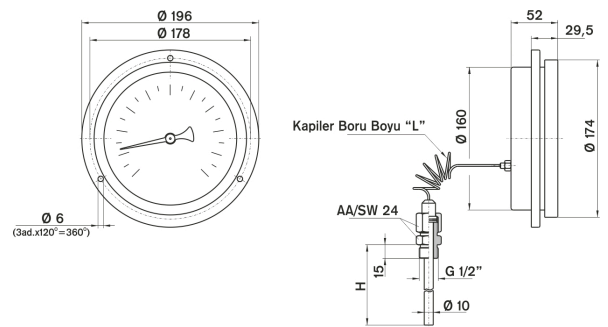
Model No: TG160DL4

Lower Back Connection



Model No: TG160DL6

Bottom Connection with Back Flange



Model No: TG160DL8

Back Connection with Front Flange